

PHILCO Models 39-71 and 39-72-T

PARTS LIST and DIAGRAM PHILCO MODEL 72-T

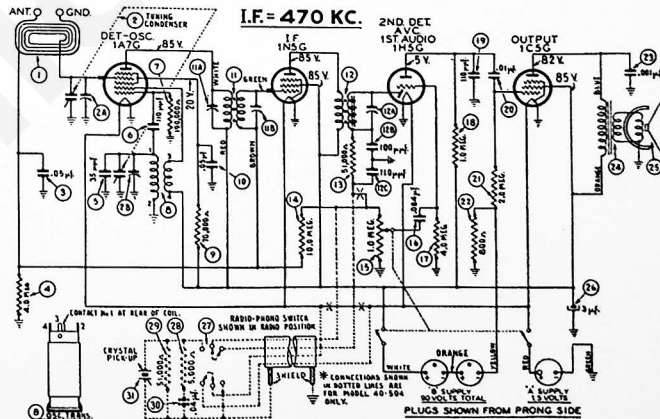
Model 39-71T, code 122 and Model 39-72 are similar in design. The schematic diagram and parts list shown below cover both receivers. The specifications and alignment procedure for these models is the same as that given for Model 39-71. Code 121

Schematic No.	Description	Part No.
1	Loop Assembly	40-6421
2	Tuning Condenser	31-2322
3	Tubular Cond. (.05 mfd.)	30-4519
4	Resistor (4.0 meg., 1/2 watt)	33-540339
5	Mica Cond. (35 mmfd.) mounted at top of tuning condenser	30-1095
6	Mica Cond. (110 mmfd.)	30-1031
7	Resistor (190,000 ohms, 1/2 watt)	33-419339
8	Oscillator Trans.	32-3118
9	Resistor (70,000 ohms, 1/2 watt)	33-370339
10	Tubular Cond. (.05 mfd.)	30-4444
11	1st I. F. Trans. Assy.	32-3103
12	2nd I. F. Trans. Assy.	32-3176
12C	Mica Cond. (110 mmfd.)	30-1031
13	Resistor (51,000 ohms, 1/2 watt)	33-351339
14	Resistor (10.0 meg., 1/2 watt)	33-610339
15	Volume Control (1.0 meg.)	33-5310
16	Tubular Cond. (.004 mfd.)	30-4578
17	Resistor (4.0 meg., 1/2 watt)	33-540339
18	Resistor (1.0 meg., 1/2 watt)	33-510339
19	Mica Cond. (110 mmfd.)	30-1031
20	Tubular Cond. (.01 mfd.)	30-4572
21	Resistor (2.0 meg., 1/2 watt)	33-520339
22	Resistor (800 ohms, 1/2 watt)	33-180339
23	Tubular Cond. (.001 mfd.)	30-4201
24	Output Trans. (Spkr. No. 36-1451-3)	30-4201
25	Cone & Voice Coil Assy. (Spkr. No. 36-1451-3)	36-4090
26	Electrolytic Cond. (3 mf., 150 V.)	30-2359

Schematic No.	Description	Part No.
27	Radio-Phono Switch	42-1501
28	Resistor (5000 ohms, 1/2 watt)	33-250339
29	Resistor (51,000 ohms, 1/2 watt)	33-351339
30	Tubular Cond. (.04 mfd.)	30-4119
31	Crystal Pick-up (less tone arm)	35-2033
	Pick-up and tone arm complete	35-2036
	Tone arm (less pick-up)	35-2037

MISCELLANEOUS PARTS

Description	Part No.
Bezel Window	27-5434
Cabinet	10382-A
Crank Handle	35-2039
Dial	31-2321
Drive Cord Assy.	31-2394
Escutcheon (knobs)	56-1252
Grille Screen	56-1420
Knobs (Volume and Tuning)	27-4331
Knob (Radio-Phono Switch)	27-4332
Motor (less turntable)	35-1162
Needle Screw	218-1047
Pointer (dial)	28-5185
Pulley (Tuning Cond.)	28-6662
Pulley (idler, drive cord)	28-5986
Rubber Coupler (turntable shaft)	35-2040
Screw (escutcheon mtg.)	W-2129
Socket (6 prong)	27-6086
Socket (7 prong)	27-6087
Spring (drive cord)	28-8751
Speaker	36-1451
Tuning Shaft and Brkt. Assy.	31-2324
Turntable	35-2038
Washer (top rubber, motor mtg.)	27-4818
Washer (bottom rubber, motor mtg.)	27-4307
Washer (metal, coupling, turntable shaft)	315-1003



SCHEMATIC DIAGRAM MODELS 39-71 CODE 122, 39-72